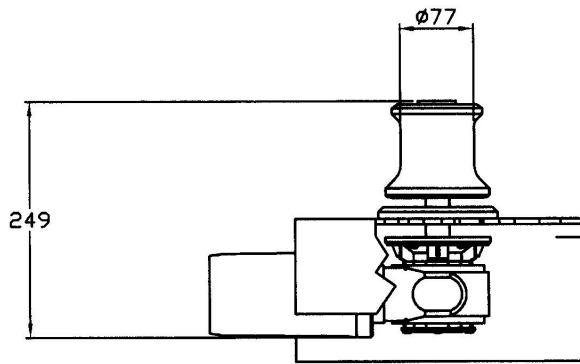
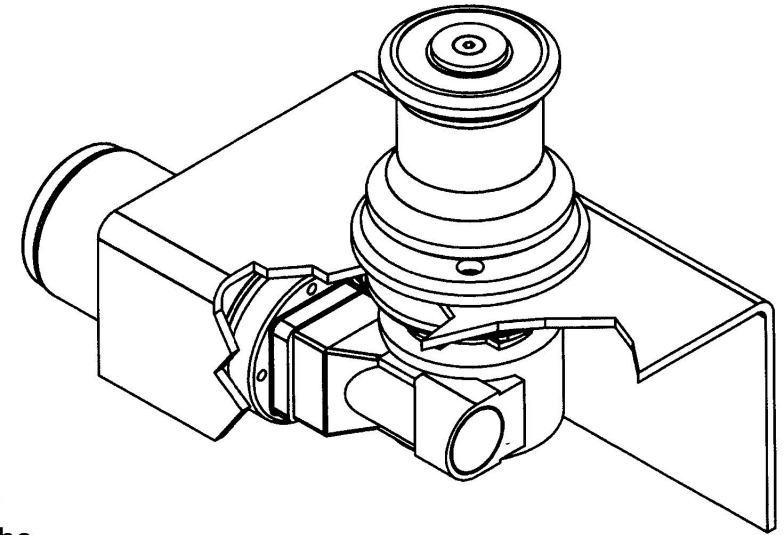
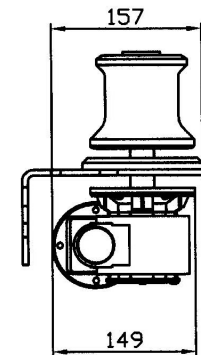


Section of gunwhale cut away to show the general arrangement of the pot lifter when installed.



Gap between the mounting flange and gearbox flange is adjustable to suit various gunwhale thicknesses.



© COPYRIGHT 2008

						TOLERANCES Unless otherwise stated NO DEC. ± 1 DEC. PL ± 2 DEC. PL ± HOLE DIAM. ± ANGLES ±		SCALE Drawn RJR Checked Design OK Approved DATE 2/05/08		MATERIAL Polyurathane & 316 Stainless Steel		FINISH Chemically Polished		DO NOT SCALE DIMENSIONS IN MILLIMETRES UNLESS OTHERWISE STATED			
										stressfree marine Pty Ltd®		NAME Pot Lifter		DRAWING No.			
Issue	Ref.	REVISION		Drawn	Apprv.	Date											